

# 500S&1000S specification

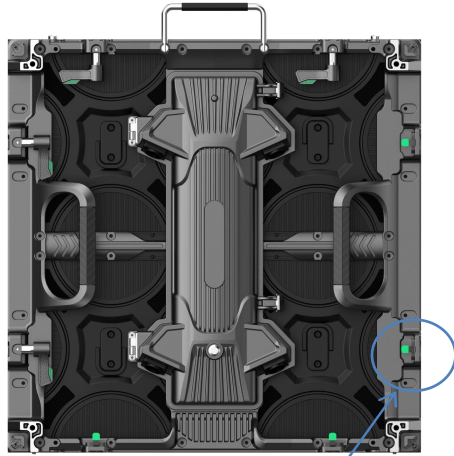


**P3.91/P4.81/P2.976/P2.604**

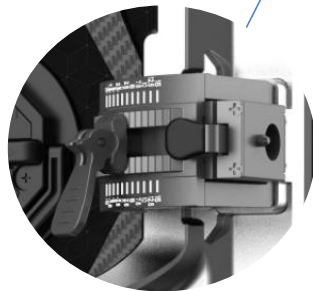
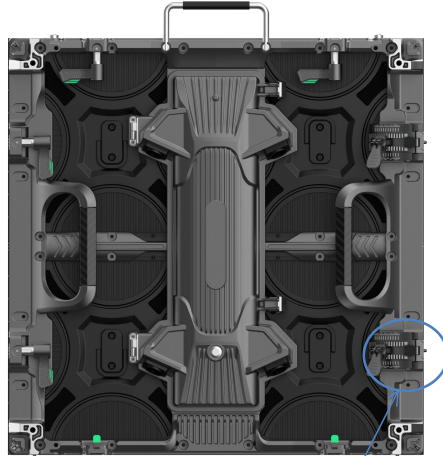
<b>product name</b>	500×500-S indoor&outdoor Cabinet 500×1000-S indoor&outdoor Cabinet
<b>Module specification</b>	250mmx250mm P3.91/P4.81/P2.976/P2.604
<b>Cabinet Size</b>	500x500、 500mm×1000mm×62mm
<b>Weight</b>	500x500 is 2.85kg、 1000x500 is 4.3kg (Aluminum door)
<b>Cabinet Color</b>	Silver
<b>Door Color</b>	Silver
<b>Installation</b>	Hoisting and fixed installation
<b>Single box Module number</b>	500x500 is Four modules per Cabinet 、 1000x500 is Eight modules per Cabinet
<b>Environment</b>	(IP65) Outdoor- Ip65
<b>Standard accessories</b>	door plank、 handle 、 locating pins 、 quicklocks 、 power strip, connectingpiece



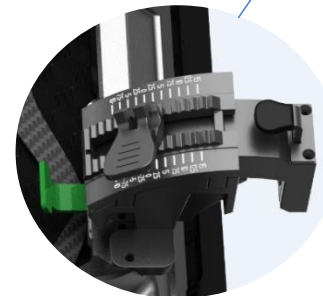
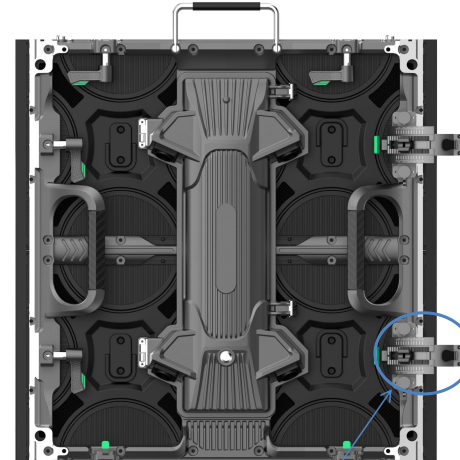
# 500S Box appearance



Straight Cabinet



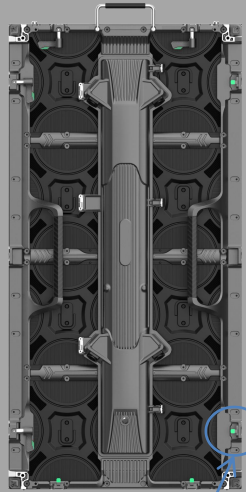
Arc Cabinet



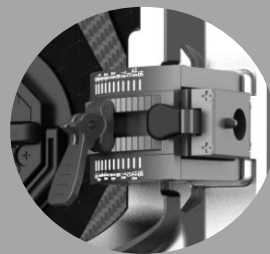
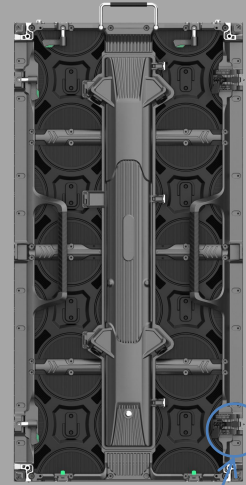
45° Cabinet

The 45-degree special lock can be quickly disassembled to achieve 45-degree + straight + arc function switching

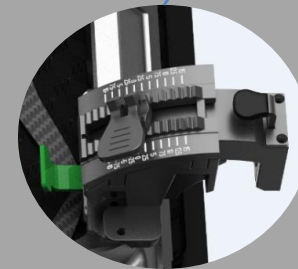
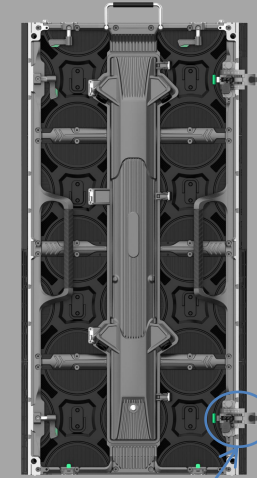
# 1000-S Box appearance



Straight Cabinet



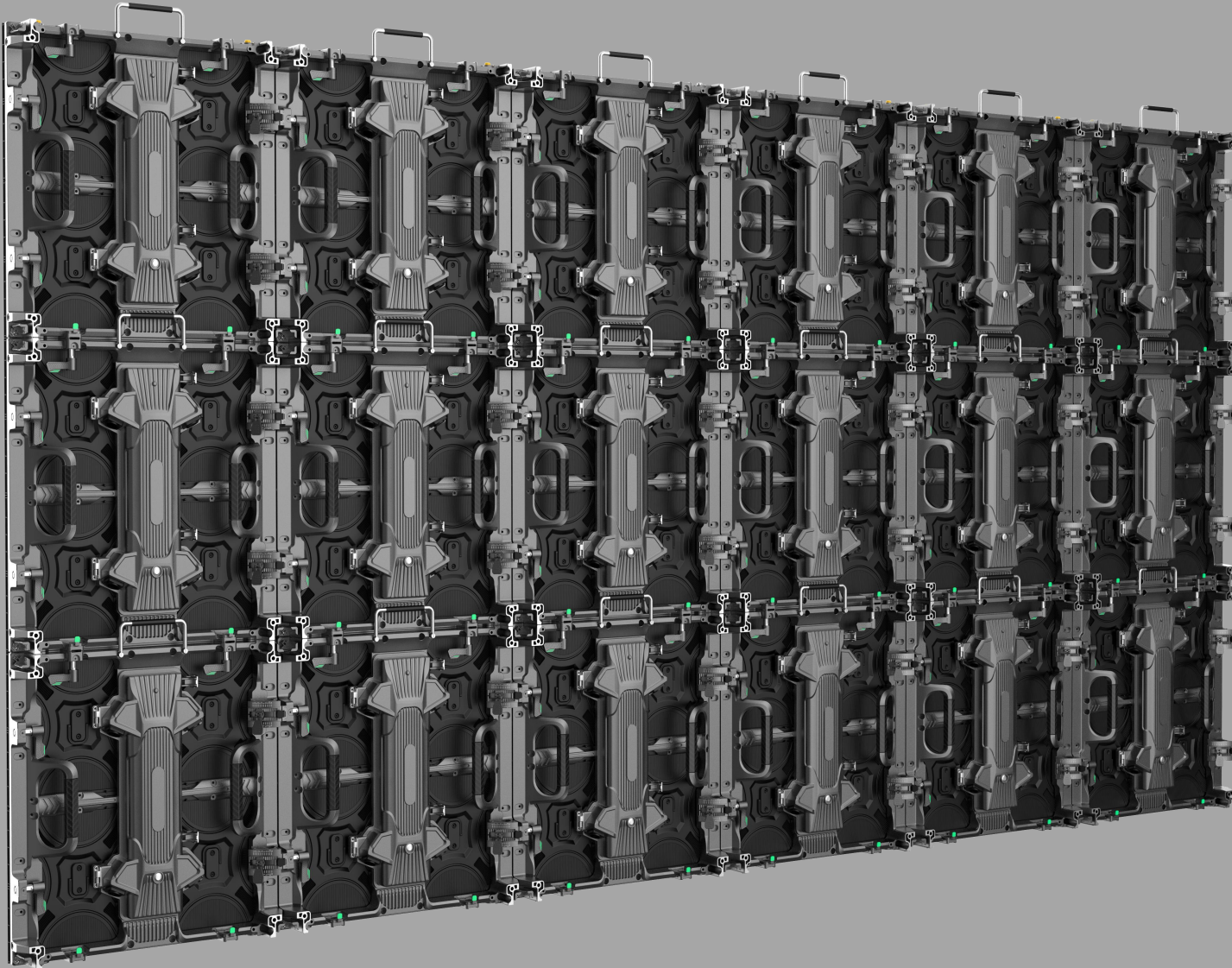
Arc Cabinet



45° Cabinet

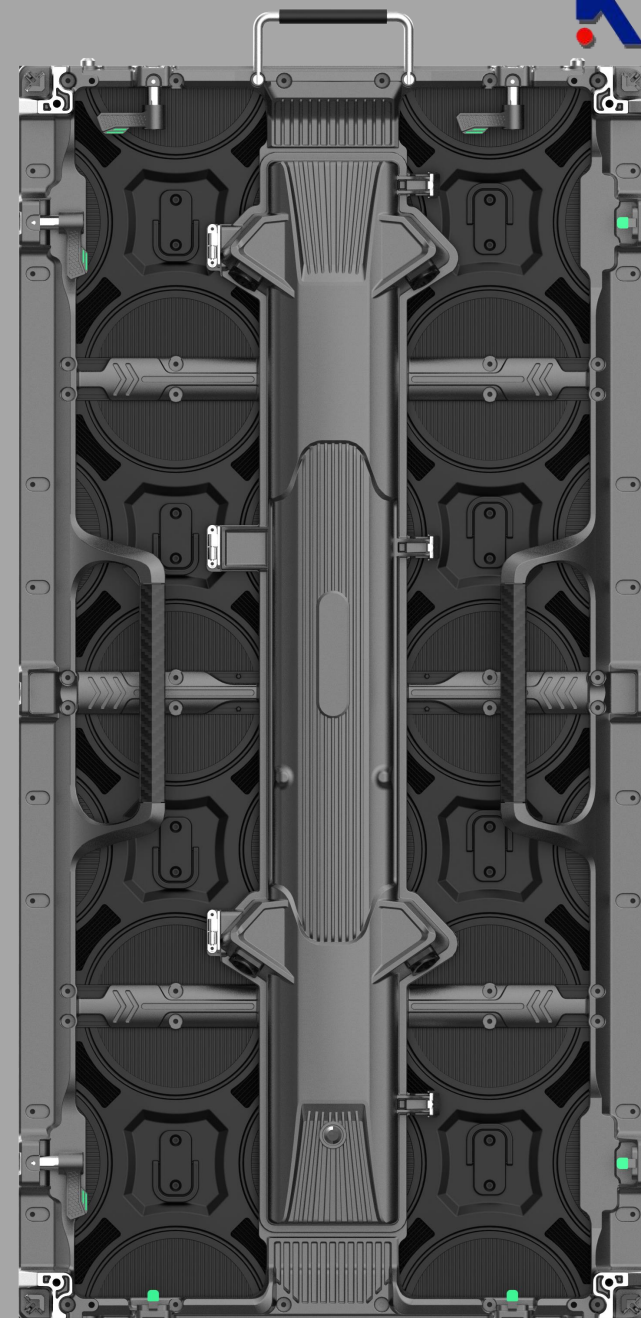
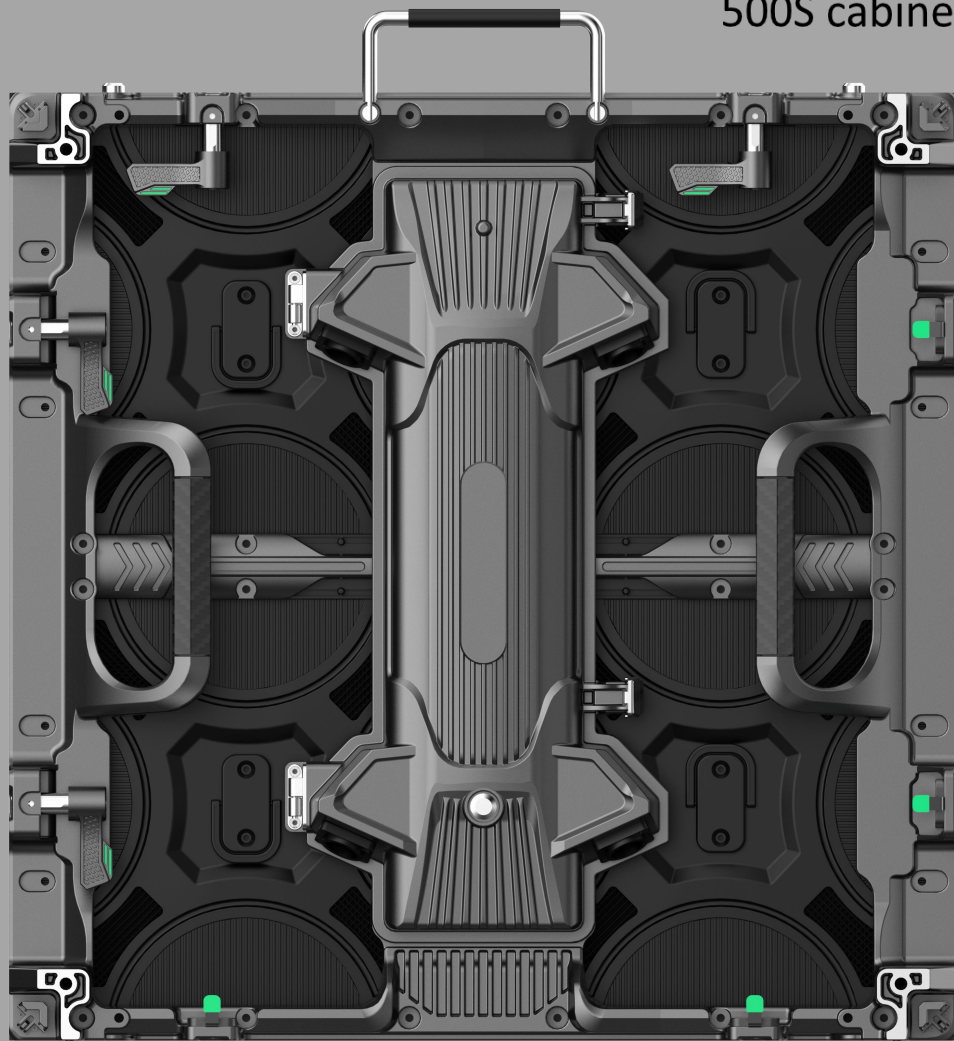
→ The 45-degree special lock can be quickly disassembled to achieve 45-degree + straight + arc function switching

# 2 Hoisting and fixed installation

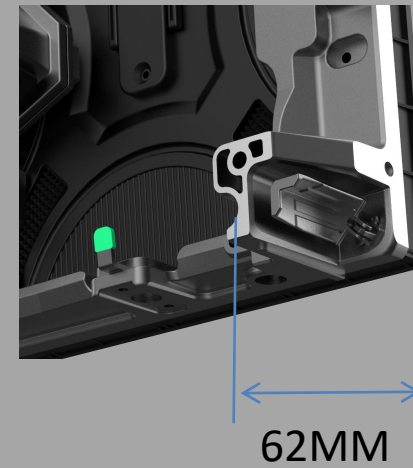
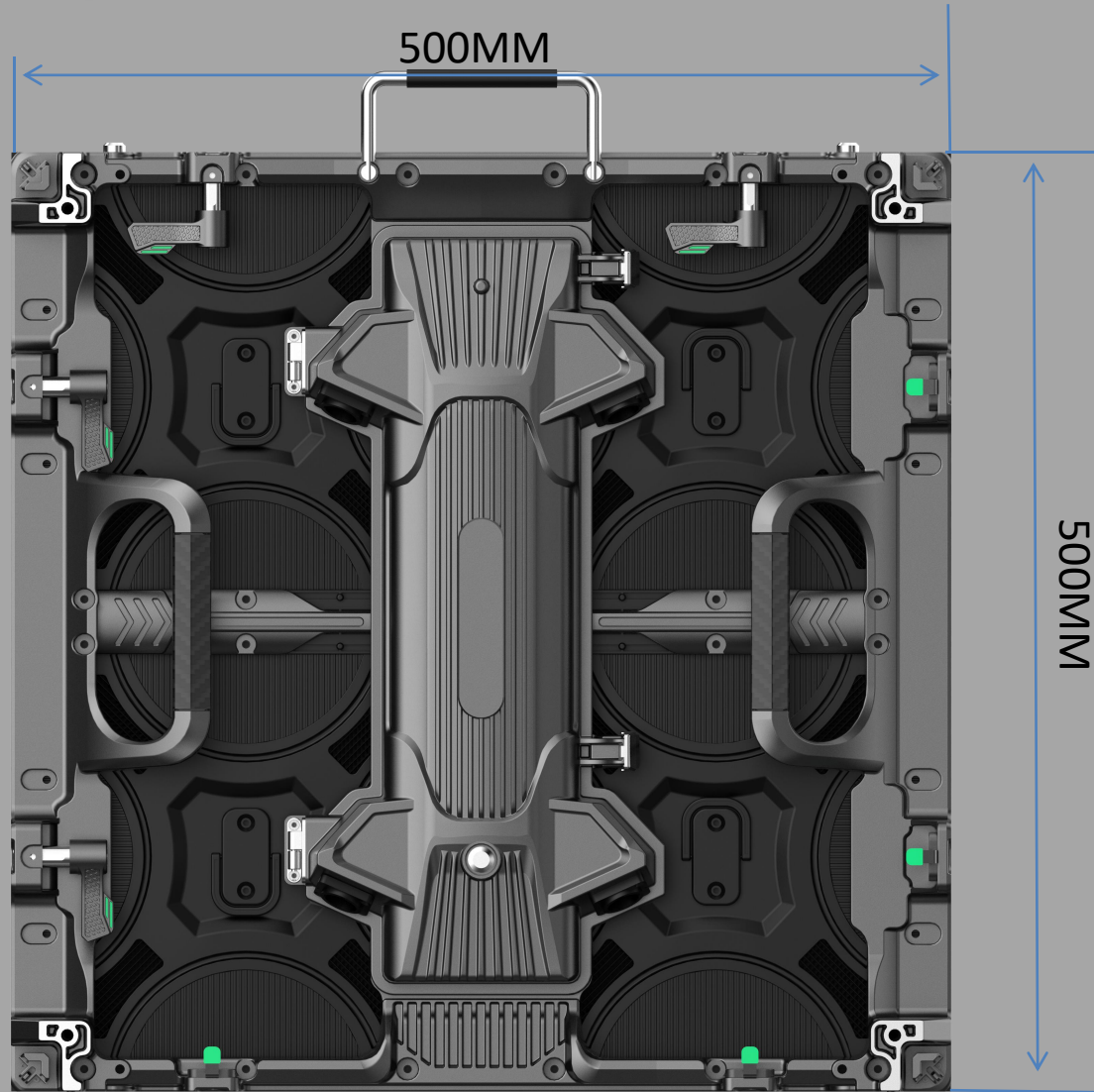


# 1 Cabinet Features

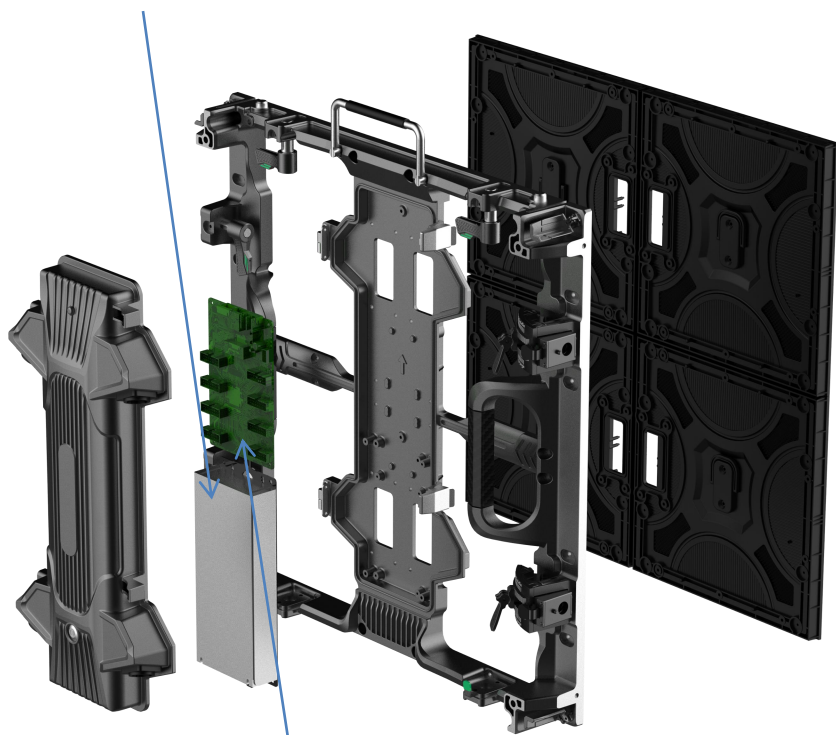
The cabinet is lightweight  
500S cabinet 2.85KG 1000S cabinet 4.3KG



# 5 Box specification

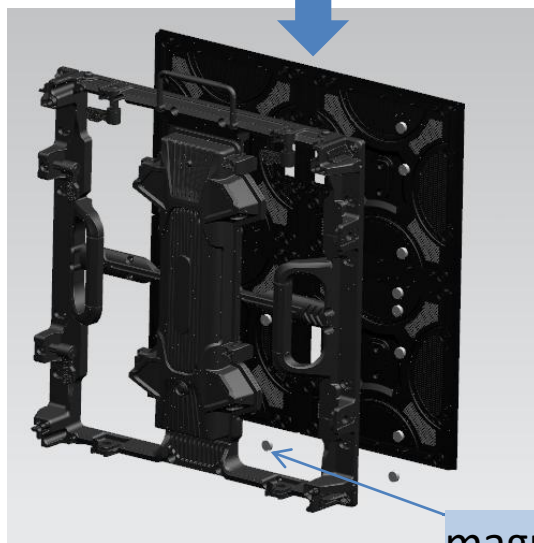


1PCS Power Supply



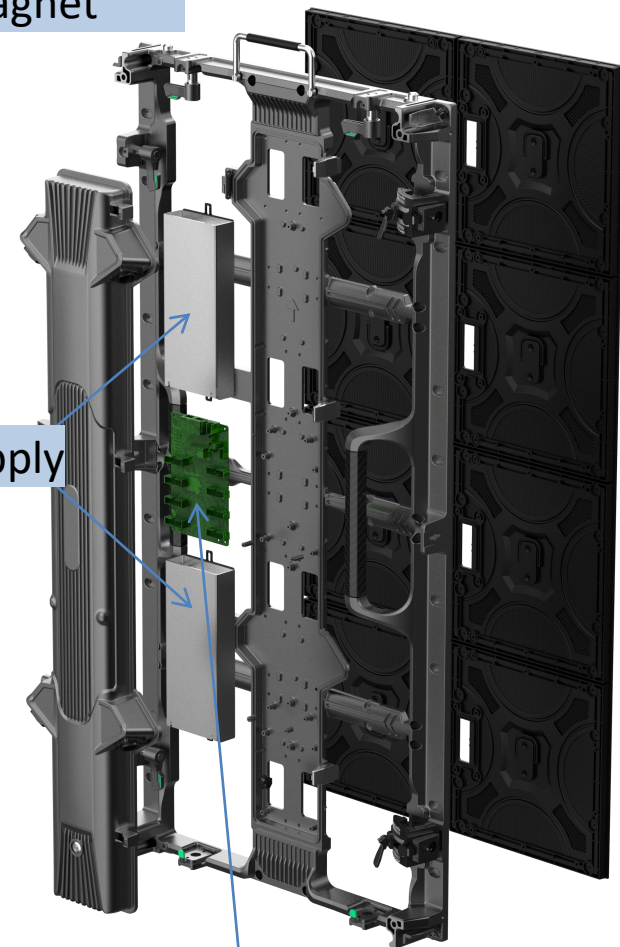
systemboard

Module front and rear maintenance cabinet Adorption Magnet



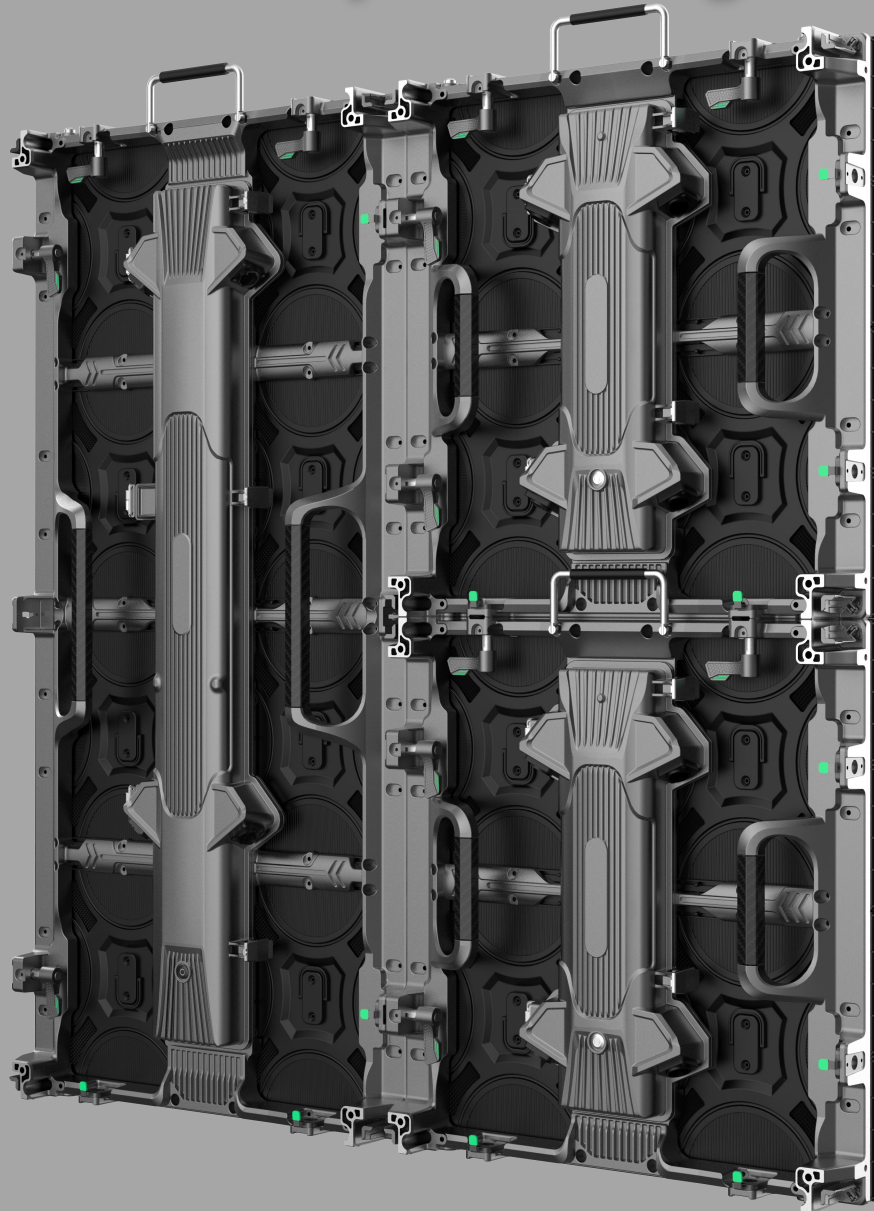
magnet assembly

2PCS Power Supply

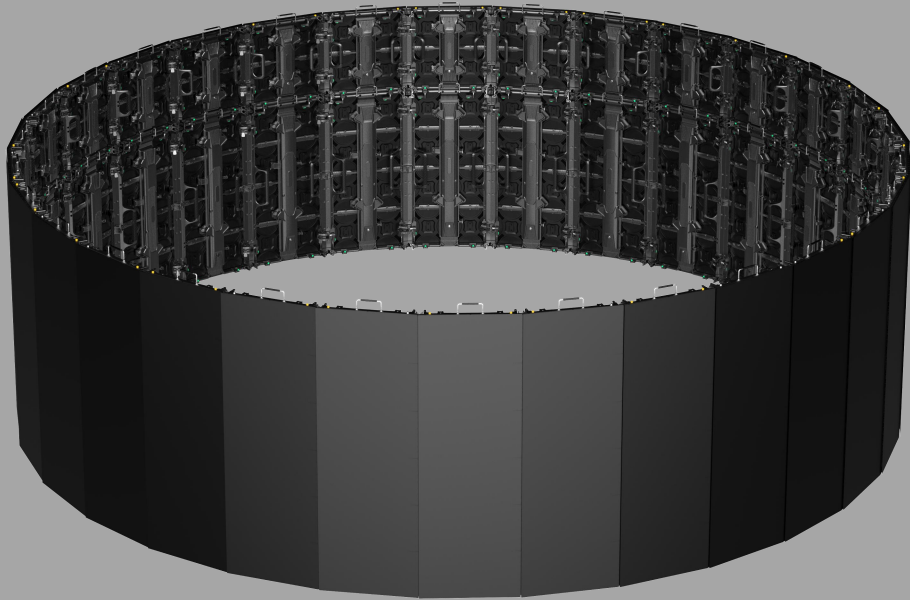


systemboard

# 7 Assembly of straight screen 1000S and 500S

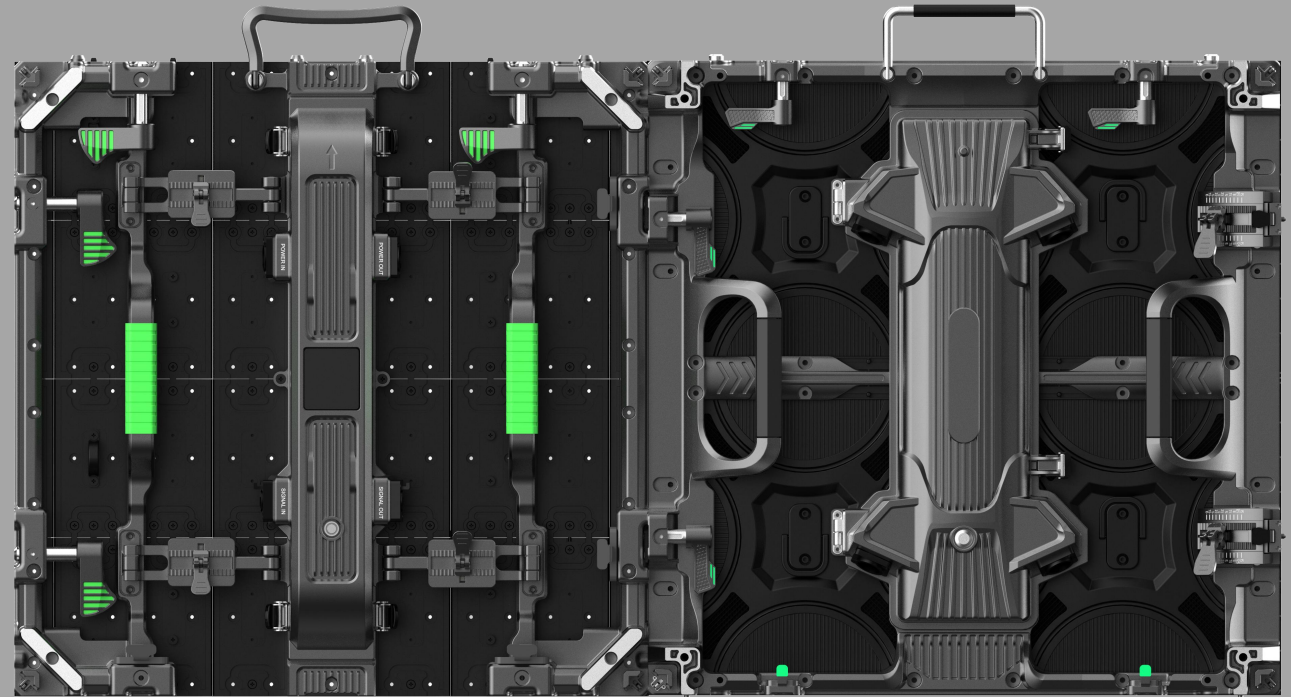


The S cabinet can be assembled with the N cabinet



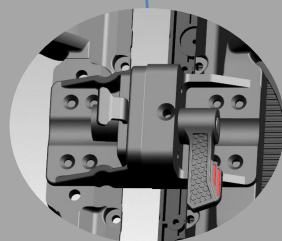
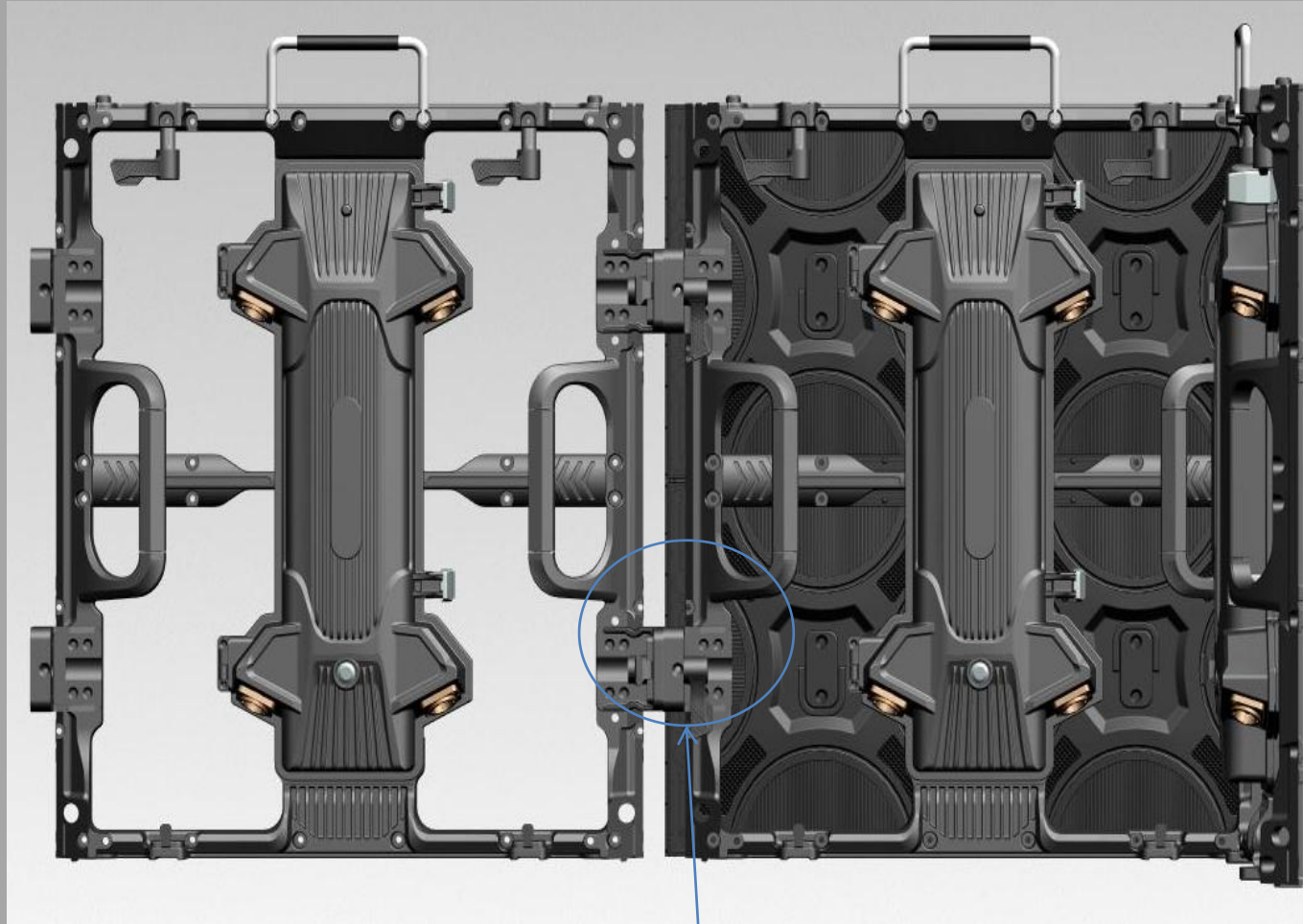
500N

500S



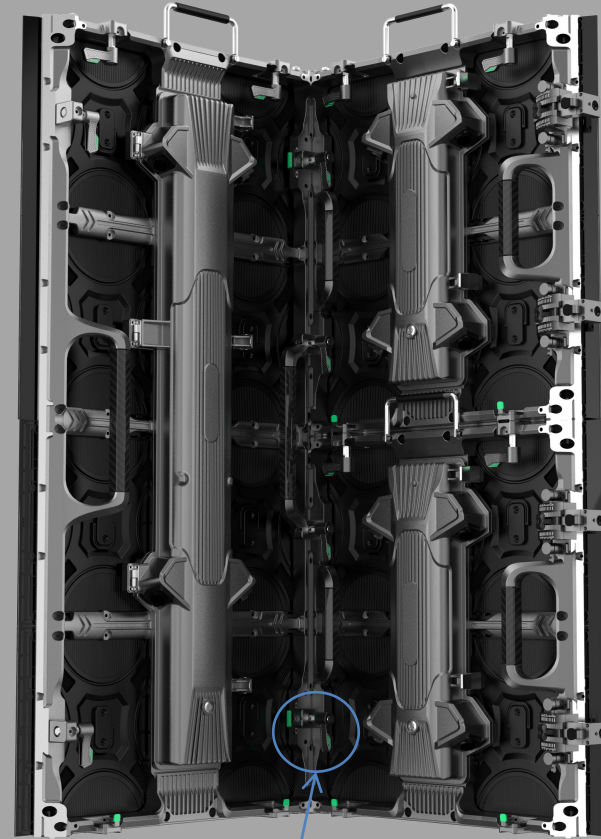
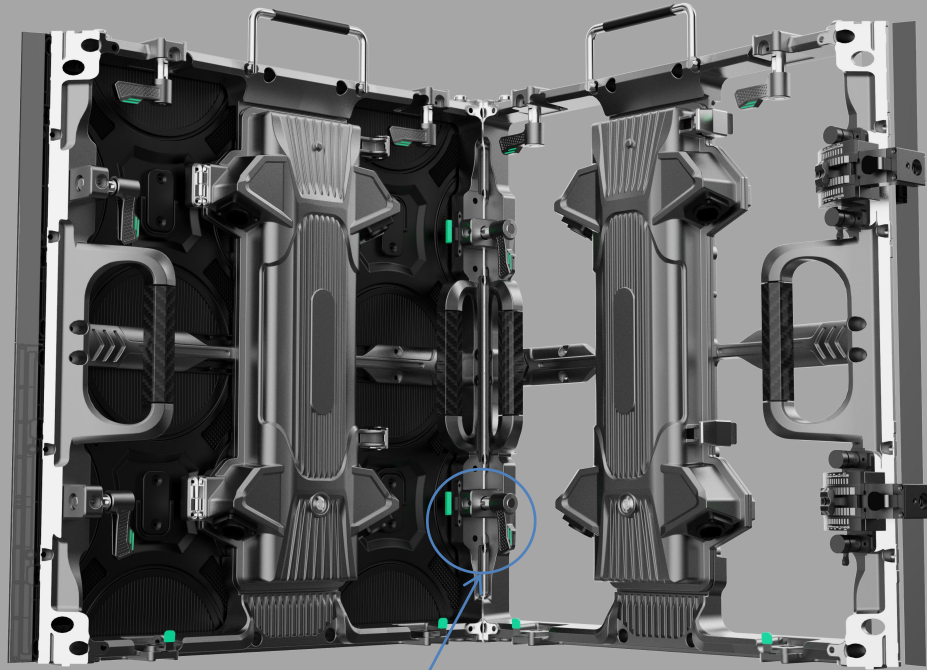
9

# 45° Assembly of straight screen



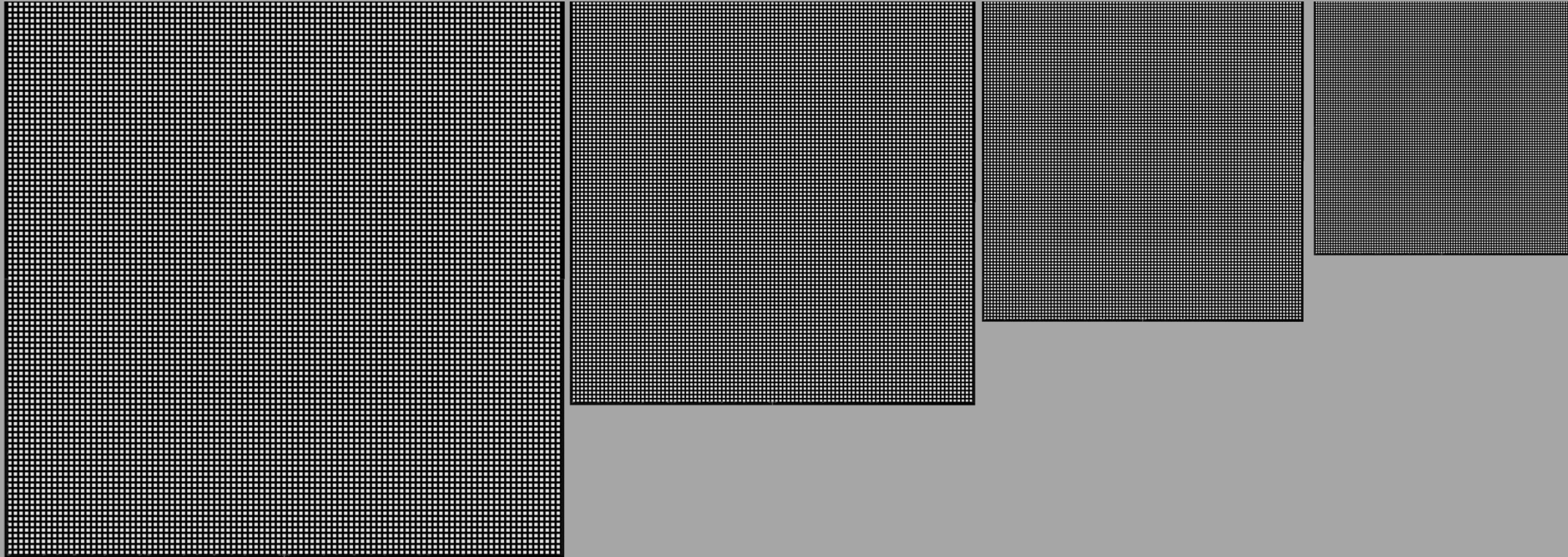
The 45-degree cabinet can be replaced with an L block to achieve flat function switching

# 10 / 45° Screen



# 1.1 Spacing series

P3.91/P4.81/P2.976/P2.604





Thanks