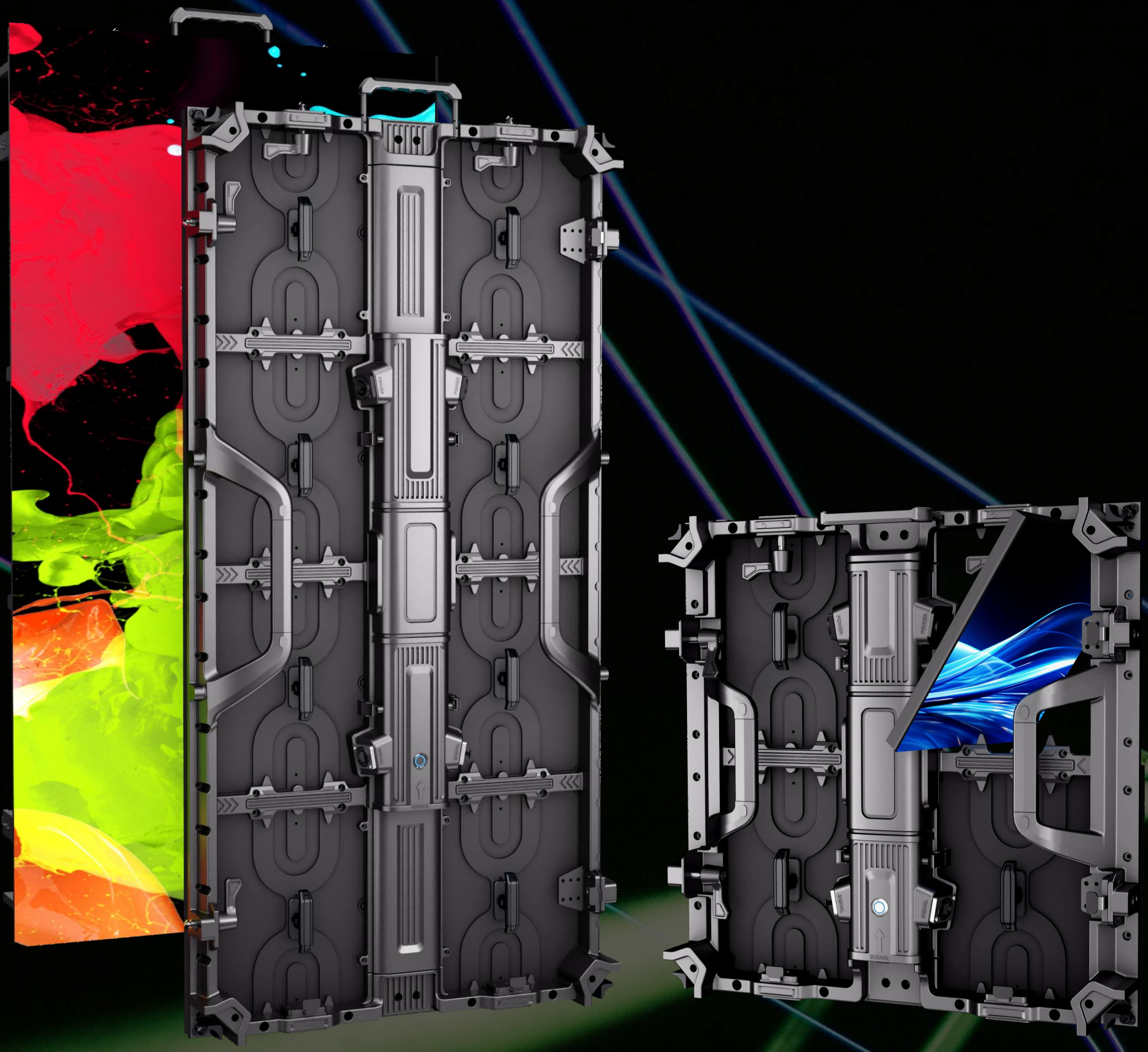




Product Catalogue
GS Series



GS Series

500x500mm
500x1000mm

Technical parameter* T = Outdoor


Model	P2.6	P2.97	P3.91	P2.97T	P3.91T	P4.81T
LED Type	SMD1515	SMD1515	SMD2121	SMD1415	SMD1921	SMD1921/SMD2525 can choose
Pixel Pitch (mm)	2,6	2,976	3,906	2,976	3,906	4,807
Pixel Density (dots/m)	147,456	112,896	65,536	112,896	65,536	43,264
Module Size (mm) Module	250*250	250*250	250*250	250*250	250*250	250*250
Resolution (dots)	96*96	84*84	64*64	84*84	64*64	52*52
Cabinet Size (mm)	"500*500*75 / 500*1000*75"	"500*500*75 / 500*1000*75"	"500*500*75 / 500*1000*75"	"500*500*75 / 500*1000*75"	"500*500*75 / 500*1000*75"	"500*500*75 / 500*1000*75"
Cabinet Weight (KGs)	6.5/11.5	6.5/11.5	6.5/11.5	6.8/11.8	6.8/11.8	6.8/11.8
Refresh Rate (HZ)	7680	7680	7680	7680	7680	7680
Brightness (CD/m) Average	800-1200	1000-2000	1000-2000	4000-4500	4500-5000	3500-4000
Power (W/m) Driving Method	250 1/32s	250 1/28s	250 1/16s	300 1/21s	300 1/16s	300 1/13s
Viewing Angles (H/V) IP rate	160°/160° IP30	160°/160° IP30	160°/160° IP30	160°/160° IP65	160°/160° IP65	160°/160° IP65
Working Humidity (RH)	10%-60%		10%-90%			
Working Temperature (°C)	-40°C ~ +80°C					
Installation Types	Sitting/Floor/Lifting/Arc/Special-shaped/Right Angle					

GS Series

- 

Ergonomic/Simple Aesthetic Design
- 

Hard Connection
- 

Power Equalization Design
- 

Corner Protection Design
- 

Plug-and-Play Power Box Design
- 

Beveled Edge Design
- 

Module Upgrade
- 

Customizable Shapes
- 

Slim Design
- 

Front and Rear Maintenance

GS Series



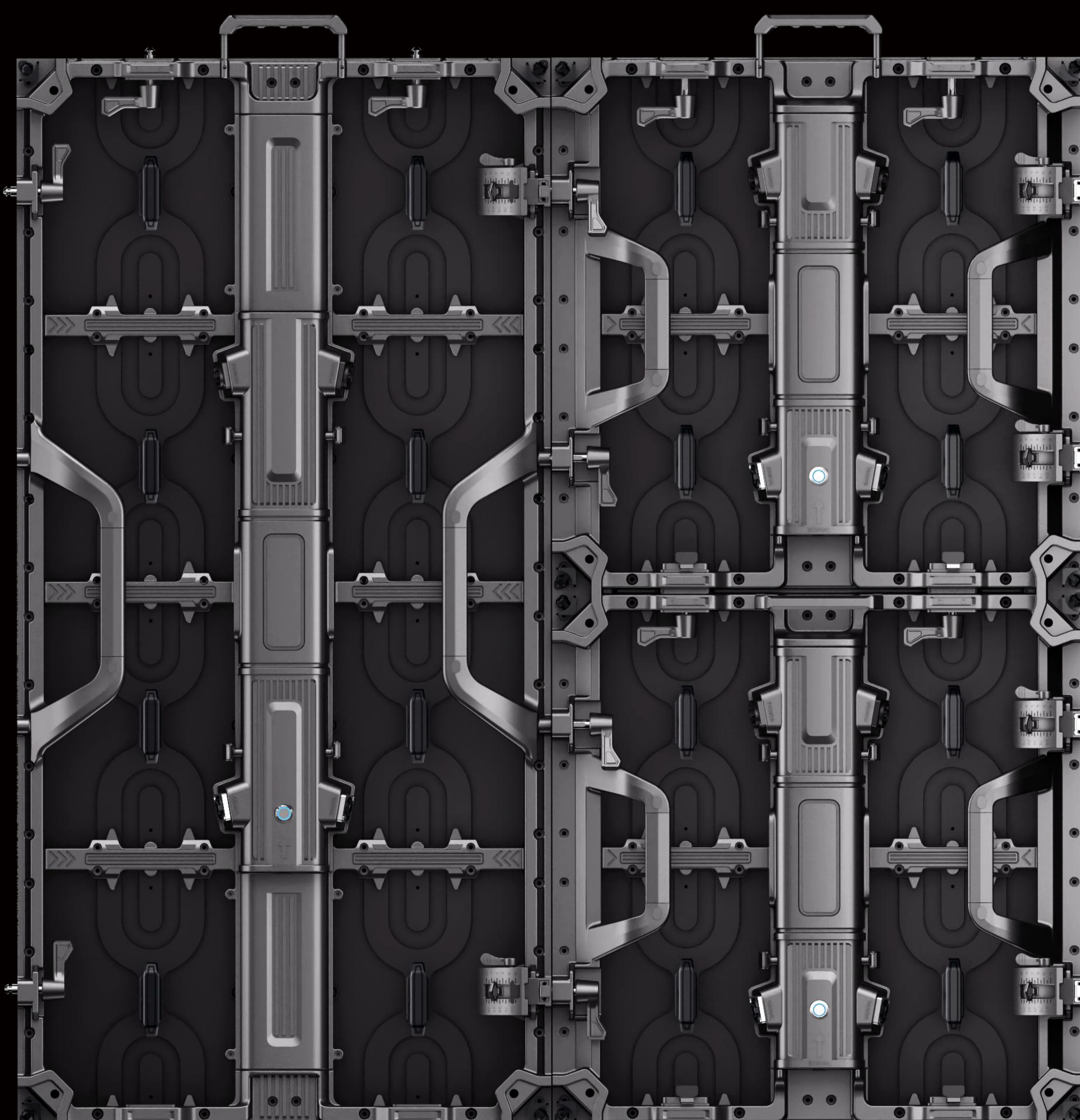
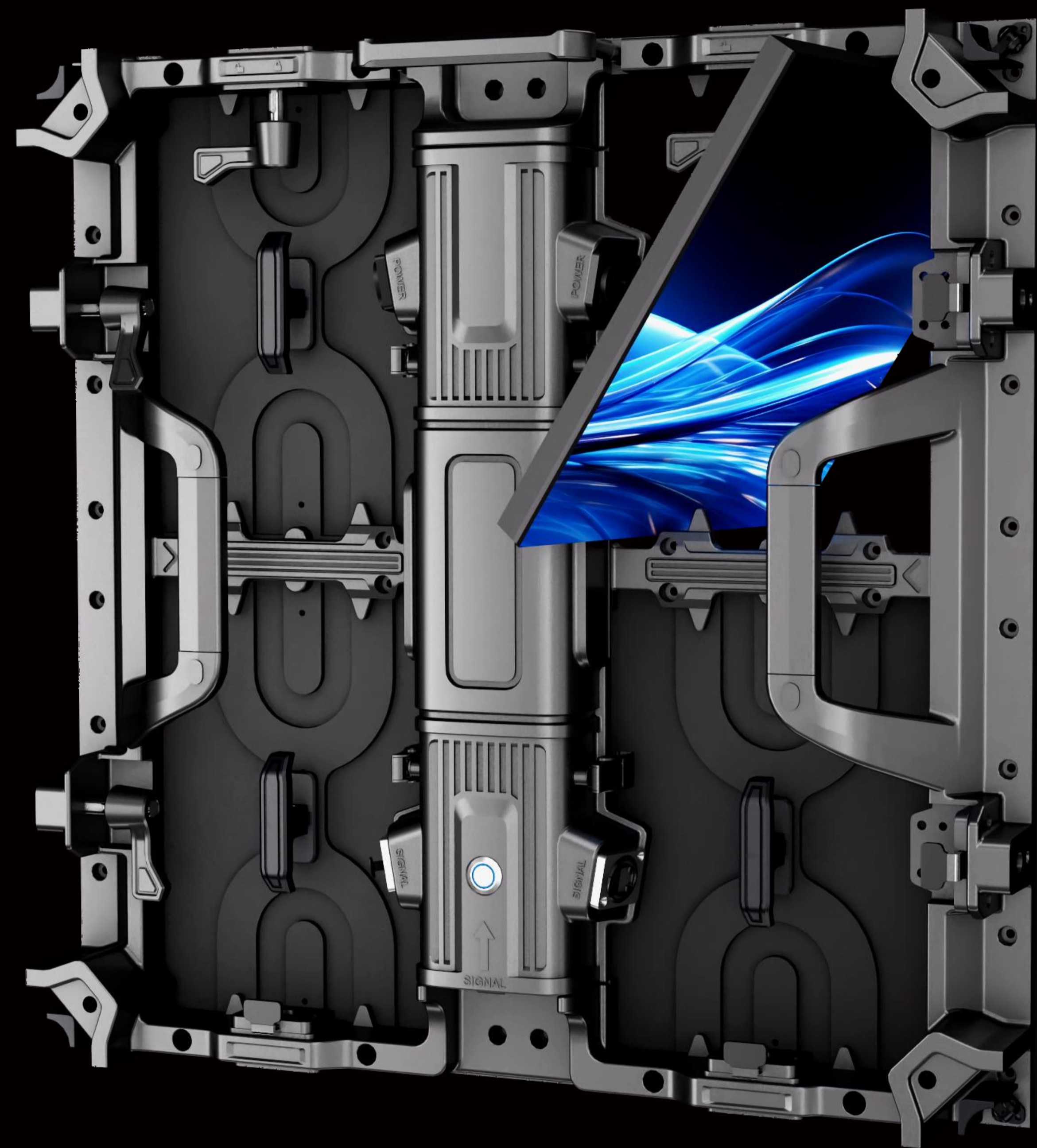
Start from the precise design of rental application

The entire GS series are dedicated to solve the problems of instant installation, easy maintenance and anti-collision for rental applications

LATEST TECHNOLOGY OF ANTI-COLLISION

PCB anti-collision welding plate

4 groups of data transmission are adopted



THE DESIGN OF GS SERIES SPLICING WITH EACH OTHER

500*500mm & 500*1000mm cabinets can
either splicing with each other, or dislocated
splicing for more creative displaying

GS Series

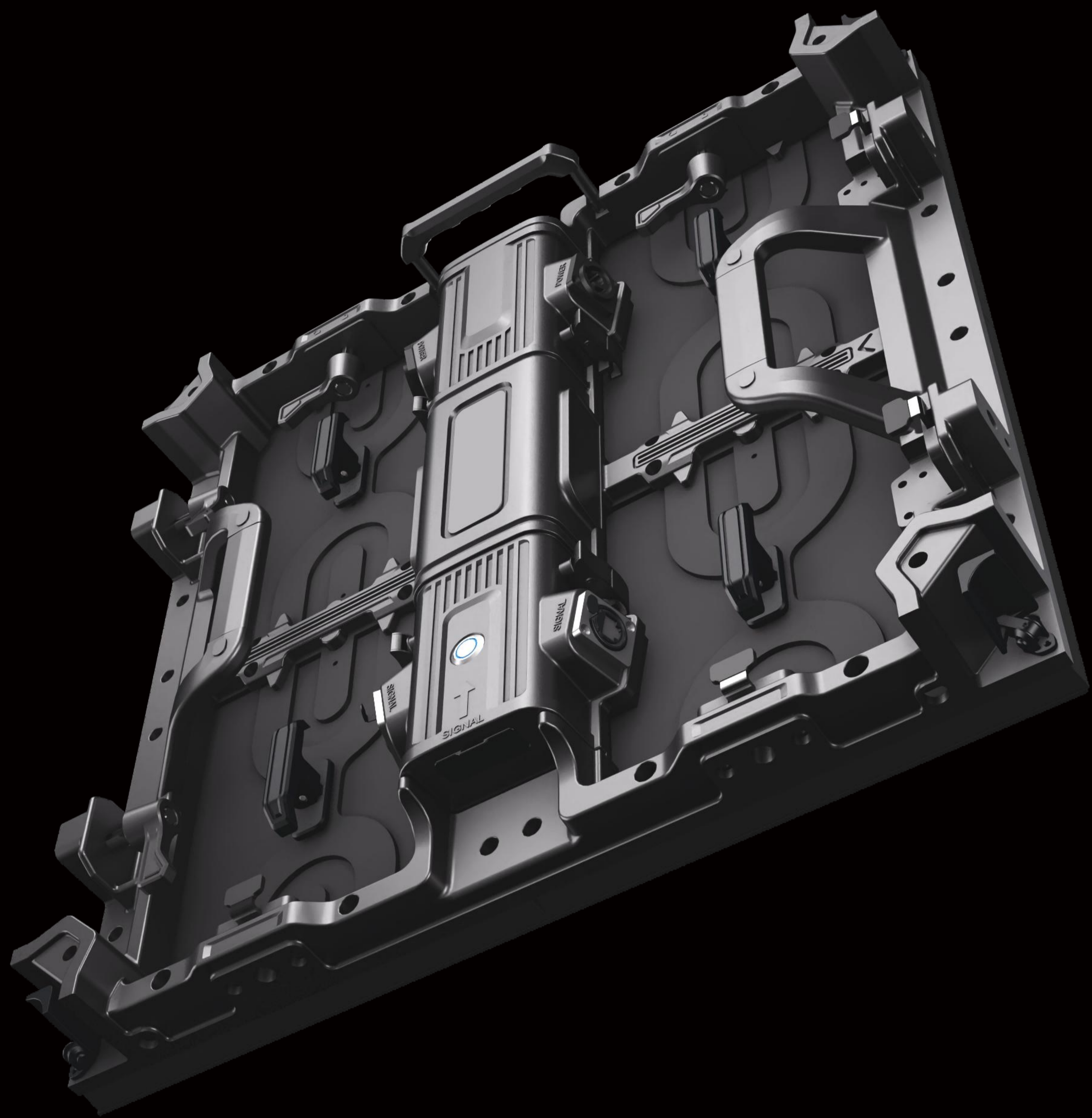


Start from the precise design of rental application

The entire GS series are dedicated to solve the problems of instant installation, easy maintenance and anti-collision for rental applications

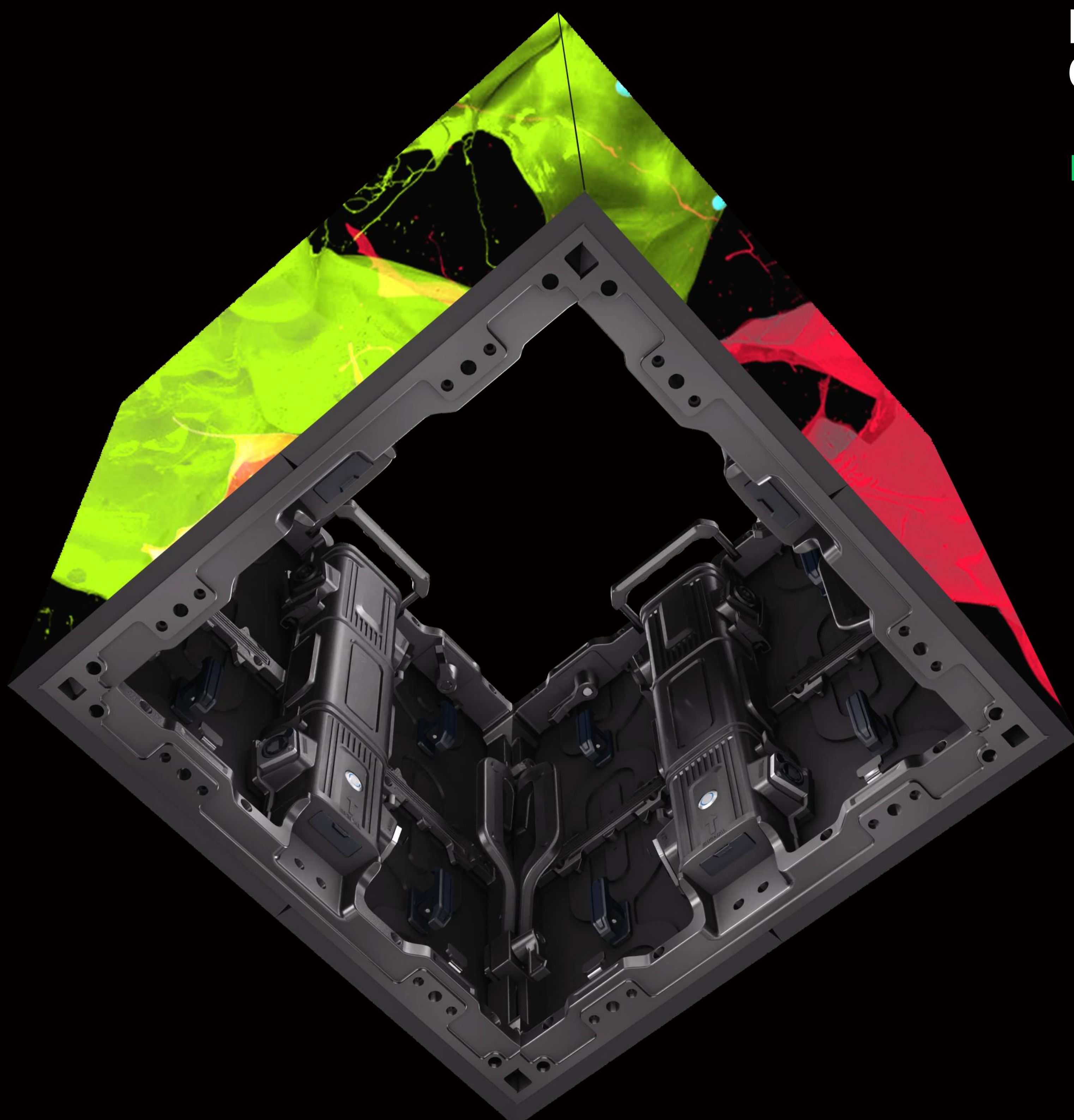
Continuous Signal

Signal backup by two network ports to assure activity easily



Right-angle Installation Design, Enabling More Creative Assembly Combinations

Beveled Edge Design 45°

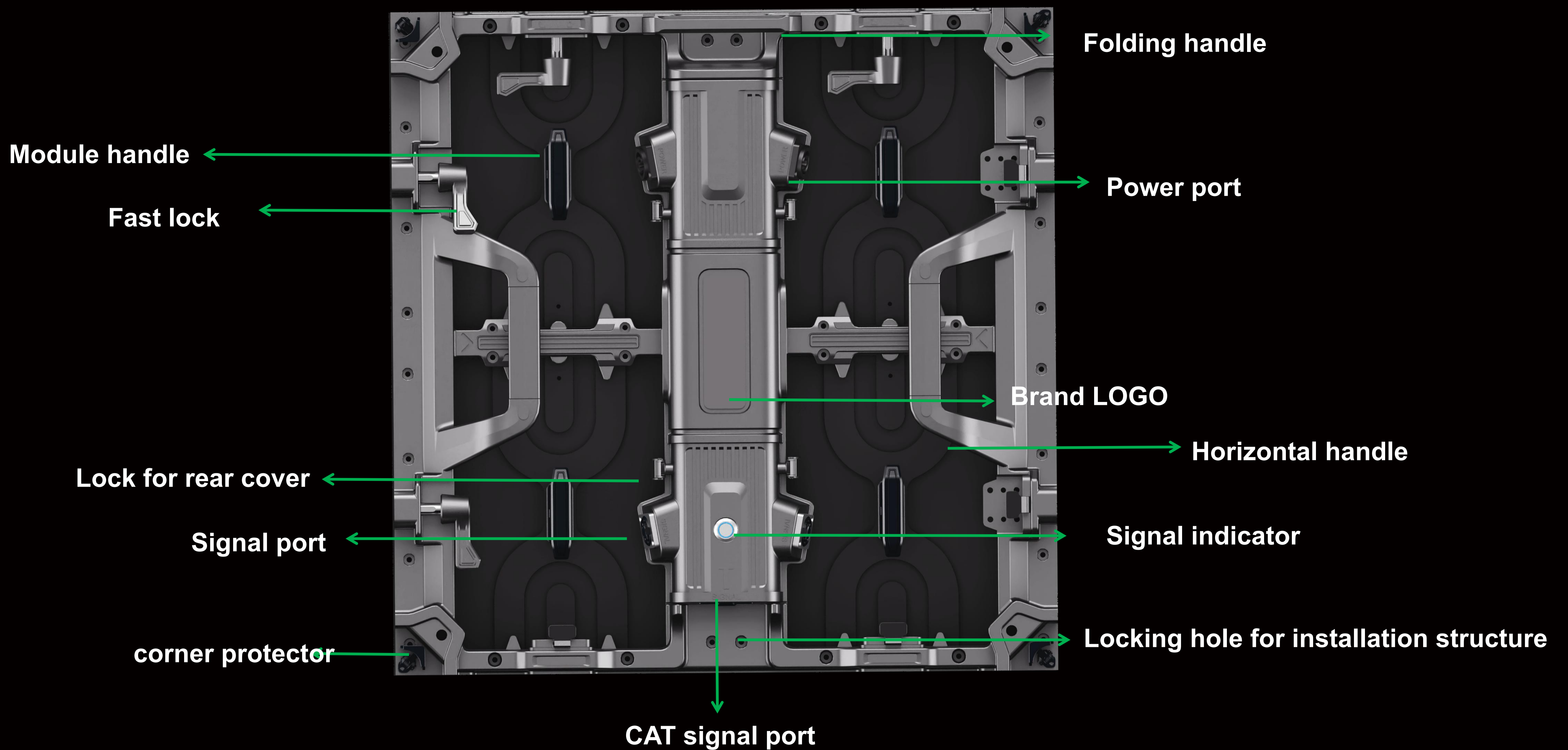


GS Series

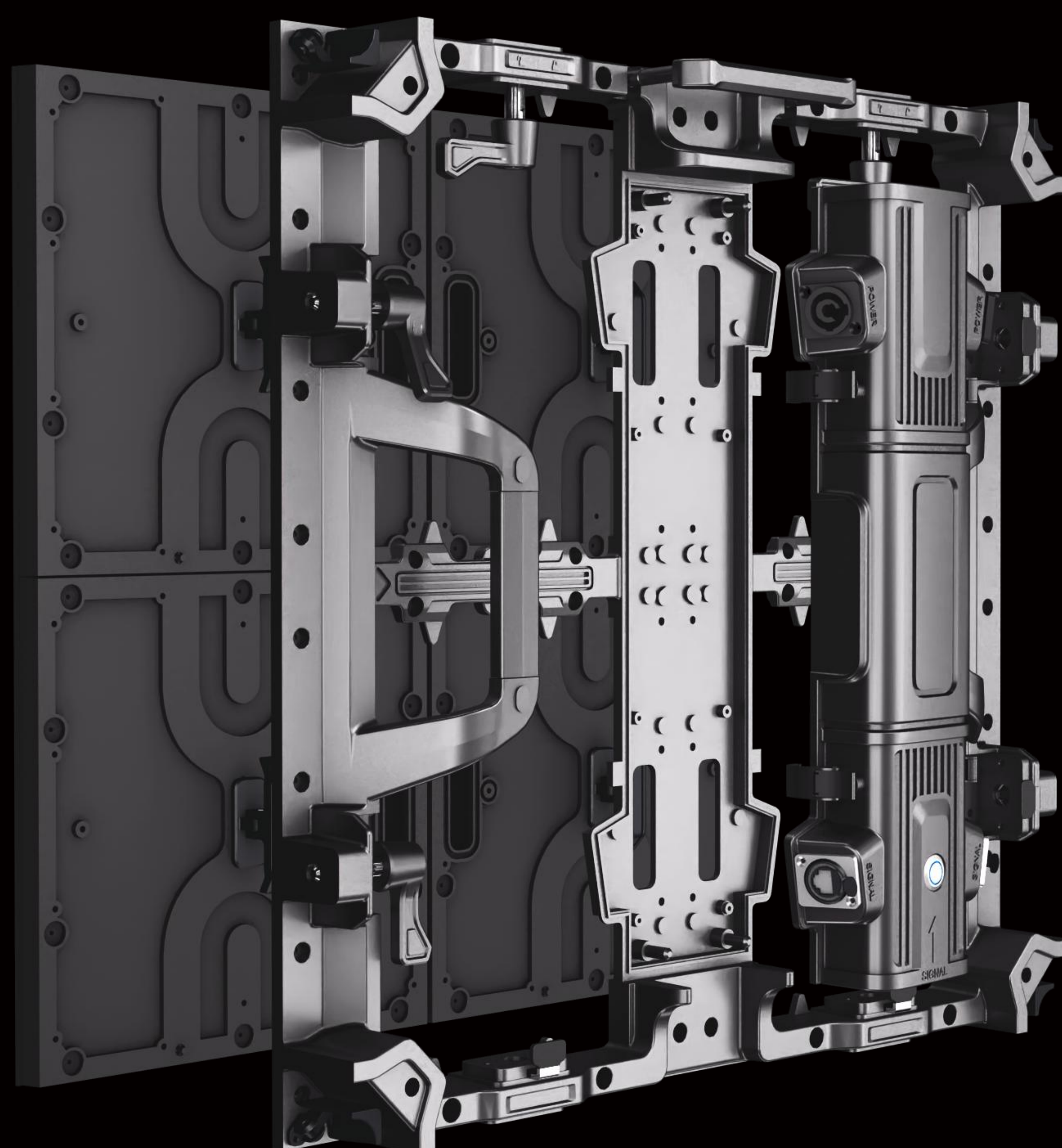


Start from the precise design of rental application

The entire GS series are dedicated to solve the problems of instant installation, easy maintenance and anti-collision for rental applications



-----INTEGRATED MODULAR DESIGN-----



Start from the precise design of rental application

The entire GS series are dedicated to solve the problems of instant installation, easy maintenance and anti-collision for rental applications



OVERVIEW OF INSTALLATION MODE

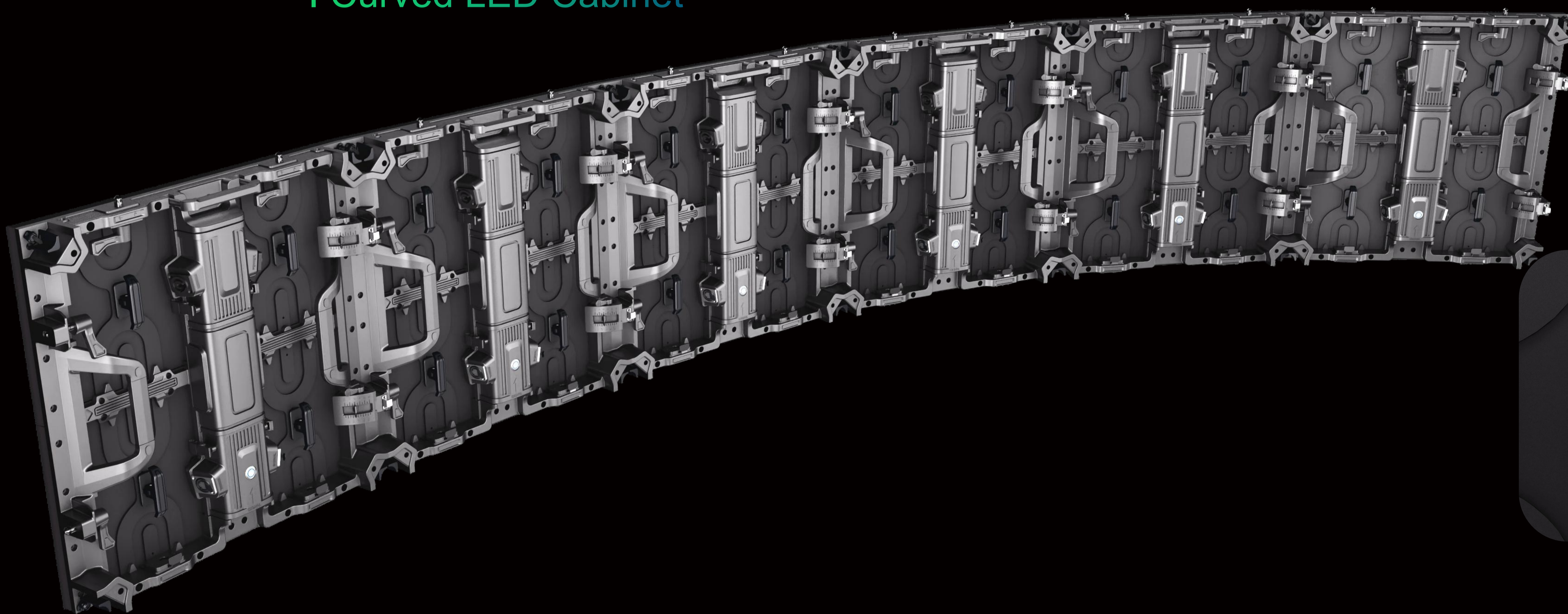
Hanging to install

I (max height <10m)

OVERVIEW OF INSTALLATION MODE

Installed as arc

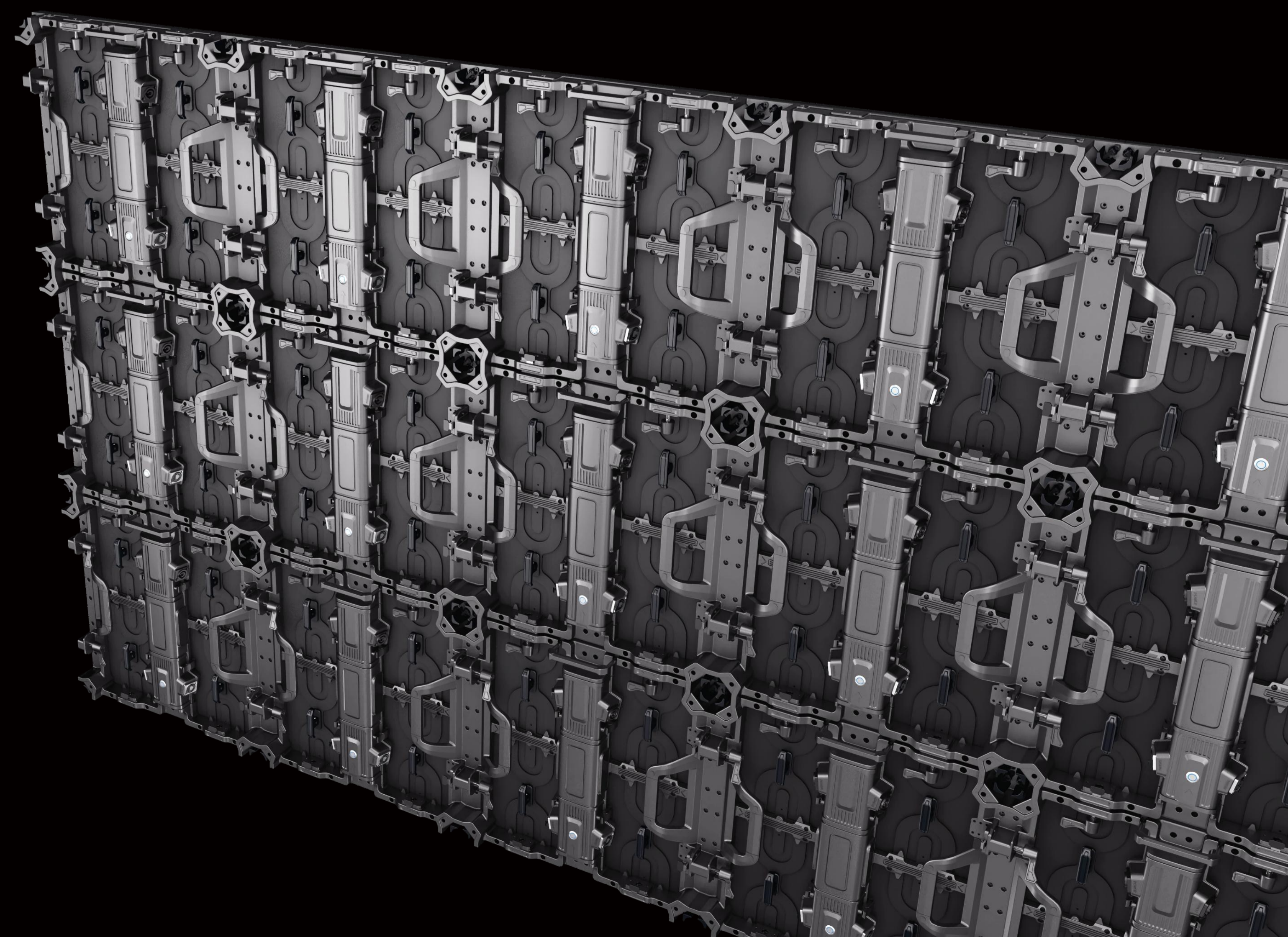
I Curved LED Cabinet



OVERVIEW OF INSTALLATION MODE

Stacking to install

I (max height <10m)



GS Series



Start from the precise design of rental application

The entire GS series are dedicated to solve the problems of instant installation, easy maintenance and anti-collision for rental applications

Indoor



Outdoor



Floor



PRODUCT ACCESSORIES

The sign with * is the optional accessories



Power cable



Signal cable



Hanging beam*



Video processor*



Back rack*